

QUBIC SYSTEM

QS-CH2



2DOF
ARCHITECTURE



MOTION PLATFORM QS-CH2

The QS-CH2 provides the most precise traction loss feeling by moving the entire cockpit. The motion system is based on the world's fastest linear actuator's technology, which delivers an incredible level of instant feedback to the driver. This motion platform is suitable for Rally, Drift and any racing simulations. By providing the oversteering effect, the platform can be used effectively for real and sim racing drivers training making them feel what happens to the front and the rear of the vehicle.

KEY FEATURES



Modular

Easy to adopt to 3rd party cockpits QS-CH1 and more using optional adapters



Used by professionals

Used by professional drivers, race teams and training institutions



Software support

Compatible with all major racing and fight titles on PC with simple USB plug in



VR technology

Full VR technology support

GENERAL SPECIFICATION **QS-CH2**

SYSTEM PERFORMANCE

SURGE	-50 mm , 50 mm
YAW	-7.2°, 7.2°

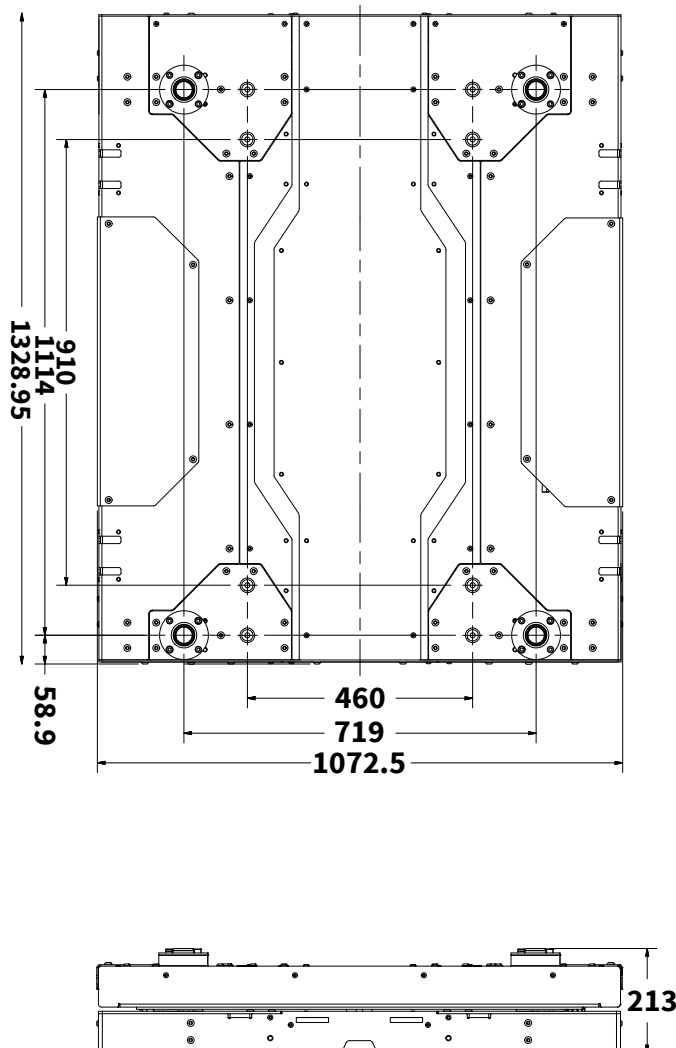
MAIN DIMENSIONS

TOTAL WIDTH	1072.5 mm 42.22 in
TOTAL HEIGHT	213 mm 8.39 in
TOTAL LENGTH	1329 mm 52.32 in

SUPPORTED TECHNOLOGIES

VR HeadWay, plugin to VBS3/4, auto diagnostic, auto calibration, platform manager - QubicManager (free of charge)

MAIN DIMENSIONS



MAIN DIMENSIONS

